

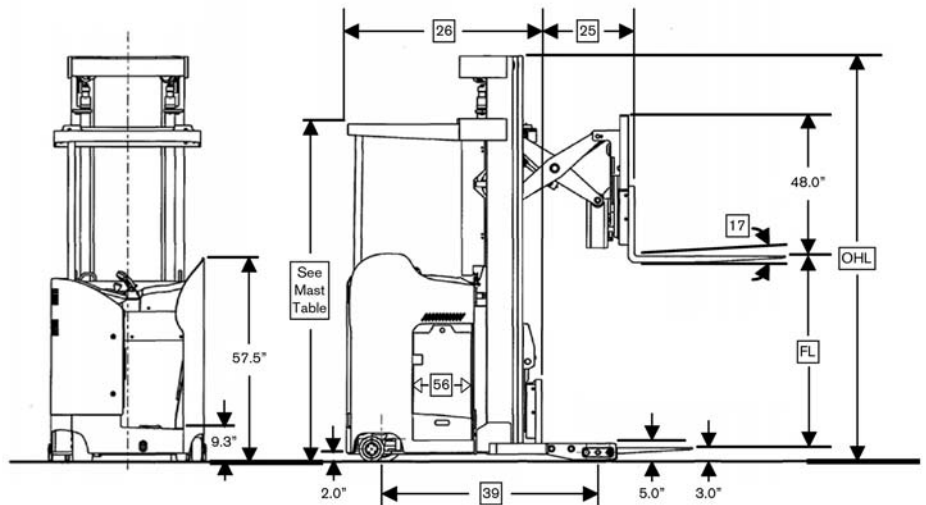
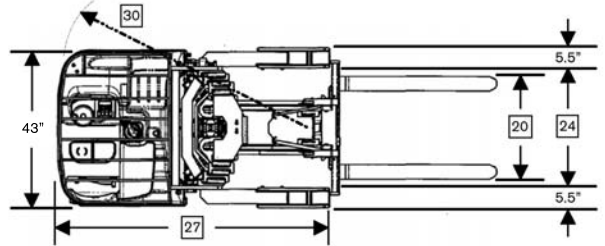
## Main Truck Specifications

				Nissan	Nissan	Nissan	
CHARACTERISTICS	1	Manufacturer's Name		Nissan	Nissan	Nissan	
	2	Model	Model designation	SRX35N	SRX45N	SRX45LN	
	3		Long model code	SM1H235NV	SM1H245NV	SG1H245NV	
	4	Wheelbase Type		STD	STD	LWB	
	5	Load Capacity	Rated capacity	lb (kg)	3500 (1750)	4500 (2250)	4500 (2250)
	6	Load Center	Distance	in (mm)	24 (610)	24 (610)	24 (610)
	7	Power Type	Electric	volt	36	36	36
	8	Reach Type			Single Reach	Single Reach	Single Reach
	9	Operator Orientation			Stand	Stand	Stand
	10	Tire Type	Load / Caster / Drive		Poly	Poly	Poly
	11	Wheels (x=driven)	Load / Caster / Drive		4 / 2 / 1x	4 / 2 / 1x	4 / 2 / 1x
DIMENSIONS	12	Mast	Max. fork height (MFH)	in (mm)	210 (5335)	210 (5335)	210 (5335)
	13		Mast lowered (OHL)	in (mm)	95 (2415)	95 (2415)	95 (2415)
	14		Standard freelif (FL) with LBR	in (mm)	47 (1195)	47.2 (1200)	47.2 (1200)
	15		Mast extended with LBR	in (mm)	260.3 (6615)	260.3 (6615)	260.3 (6615)
	16		Height - top of standard LBR	in (mm)	48 (1220)	48 (1220)	48 (1220)
	17	Tilt Angle	Standard carriage - fwd/back	degree	3° / 4°	3° / 4°	3° / 4°
	18	Forks	Width x thickness	in (mm)	4 x 1.5 (100 x 40)	4 x 1.75 (100 x 45)	4 x 1.75 (100 x 45)
	19		Length	in (mm)	42 (1070)	42 (1070)	42 (1070)
	20		Min. spread (o.d.)	in (mm)	8 (203)	8 (203)	8 (203)
	21		Max. spread (o.d.) <sup>1</sup>	in (mm)	31.5 (800)	31.5 (800)	31.5 (800)
	22		Fork lowered height (TOF)	in (mm)	3.0 (75)	3.2 (80)	3.2 (80)
	23	Outrigger	Height <sup>1</sup>	in (mm)	5.0 (130)	5.0 (130)	5.0 (130)
	24	Outrigger Width	I.D. min - max (in 1" increments)	in (mm)	33 - 50 (840 - 1270)	33 - 50 (840 - 1270)	33 - 50 (840 - 1270)
	25	Overall Dimensions	Maximum stroke	in (mm)	22.8 (580)	22.4 (570)	22.4 (570)
	26		Length (to face of forks)	in (mm)	54.1 (1375)	55.6 (1415)	60.1 (1525)
	27		Length (to face of outriggers)	in (mm)	74.5 (1895)	75.6 (1920)	80.0 (2035)
	28		Width - truck chassis	in (mm)	43.0 (1090)	43.0 (1090)	43.0 (1090)
	29		Height - top of OHG	in (mm)	93.5 (2375)	93.5 (2375)	93.5 (2375)
	30	Turning Radius	Minimum outside	in (mm)	69.4 (1760)	70.4 (1790)	74.9 (1900)
	31	Min. Right Angle Stack	48" L x 40" W pallet (add clearance) <sup>1</sup>	in (mm)	100 (2540)	102 (2590)	106 (2690)
PERFORMANCE	32	Speeds	Travel - loaded - fwd / rev	mph (kph)	6.4 (10.3) / 7.2 (11.6)	6.4 (10.3) / 7.2 (11.6)	6.4 (10.3) / 7.2 (11.6)
	33		Travel - unloaded - fwd / rev	mph (kph)	6.4 (10.3) / 7.2 (11.6)	6.4 (10.3) / 7.2 (11.6)	6.4 (10.3) / 7.2 (11.6)
	34		Lift - loaded	fpm (mm/sec)	70 (356)	70 (356)	70 (356)
	35		Lift - unloaded	fpm (mm/sec)	120 (610)	120 (610)	120 (610)
	36		Lower - loaded	fpm (mm/sec)	95 (483)	95 (483)	95 (483)
	37		Lower - unloaded	fpm (mm/sec)	87 (442)	87 (442)	87 (442)
CHASSIS & WHEELS	38	Truck Weight	210" Mast, empty, no battery	lb (kg)	6005 (2725)	6420 (2915)	6540 (2970)
	39	Wheelbase	Distance between axles on centers	in (mm)	59.0 (1500)	60.1 (1525)	64.6 (1640)
	40	Chassis Length		in (mm)	35.2 (895)	35.2 (895)	39.7 (1010)
	41	Step Height		in (mm)	9.3 (235)	9.3 (235)	9.3 (235)
	42	Ground Clearance	Center of wheelbase	in (mm)	2.0 (50)	2.0 (50)	2.0 (50)
	43		Under mast	in (mm)	2.0 (50)	2.0 (50)	2.0 (50)
	44	Tire Size	Drive tire	in (mm)	13 x 5.5 (330 x 140)	13 x 5.5 (330 x 140)	13 x 5.5 (330 x 140)
	45		Caster wheels - dual	in (mm)	7 x 2.87 (178 x 73)	7 x 2.87 (178 x 73)	7 x 2.87 (178 x 73)
	46		Load wheels - tandem	in (mm)	5 x 4 (127 x 100)	5 x 4 (127 x 100)	5 x 4 (127 x 100)
	47	Service Brake	Type		Regen	Regen	Regen
48	Parking Brake	Type		Electric Disc	Electric Disc	Electric Disc	
DRIVE LINE	49	Steering	On-demand		Electric	Electric	Electric
	50	Traction Motor	Type		AC Induction	AC Induction	AC Induction
	51		Control type		AC Inverter	AC Inverter	AC Inverter
	52		Rating - 60 minute	HP (kW)	8.0 (6.0)	8.0 (6.0)	8.0 (6.0)
	53	Pump Motor	Type		AC Induction	AC Induction	AC Induction
54	Rating - 5 minute		HP (kW)	18.8 (14)	18.8 (14)	18.8 (14)	
BATTERY	55	Recommended Size	Lead Acid		18-125-13	18-125-13	18-125-17
	56	Compartment Size	L	in (mm)	16.4 (415)	16.4 (415)	20.9 (530)
	57		W x H	in (mm)	38.7 x 32 (980 x 810)	38.7 x 32 (980 x 810)	38.7 x 32 (980 x 810)
	58	Amp Hr Capacity	Min / Max (6-hr)	Ah	600 / 930	600 / 930	880 / 1240
	59	Weight	Minimum / Maximum	lb (kg)	2060 (935) / 2305 (1045)		2600 (1180) / 3015 (1370)
	60	Battery Roller Height	From floor	in (mm)	6.2 (158)	6.2 (158)	6.2 (158)
	61	Lead Length	Position B / SB-350 Gray	in (mm)	24 (610)	24 (610)	24 (610)
62	Connector		type	SB-350 Gray	SB-350 Gray	SB-350 Gray	

# 3,000 - 4,500 lb. capacity

Nissan	Nissan	1
SRX30ND	SRX30LND	2
DM1H230NV	DG1H230NV	3
STD	LWB	4
3000 (1500)	3000 (1500)	5
24 (610)	24 (610)	6
36	36	7
Double Reach	Double Reach	8
Stand	Stand	9
Poly	Poly	10
4 / 2 / 1x	4 / 2 / 1x	11
210 (5335)	210 (5335)	12
95 (2415)	95 (2415)	13
47 (1195)	47 (1195)	14
260.3 (6615)	260.3 (6615)	15
48 (1220)	48 (1220)	16
3° / 4°	3° / 4°	17
4 x 1.5 (100 x 40)	4 x 1.5 (100 x 40)	18
42 (1070)	42 (1070)	19
8 (203)	8 (203)	20
31.5 (800)	31.5 (800)	21
3.0 (75)	3.0 (75)	22
5.0 (130)	5.0 (130)	23
33 - 50 (840 - 1270)	33 - 50 (840 - 1270)	24
40.2 (1020)	40.2 (1020)	25
61.9 (1570)	66.3 (1685)	26
77.5 (1970)	82.0 (2085)	27
43.0 (1090)	43.0 (1090)	28
93.5 (2375)	93.5 (2375)	29
72.4 (1840)	76.8 (1950)	30
108 (2745)	113 (2870)	31
6.4 (10.3) / 7.2 (11.6)	6.4 (10.3) / 7.2 (11.6)	32
6.4 (10.3) / 7.2 (11.6)	6.4 (10.3) / 7.2 (11.6)	33
70 (356)	70 (356)	34
120 (610)	120 (610)	35
95 (483)	95 (483)	36
95 (483)	95 (483)	37
6715 (3045)	6835 (3100)	38
62.0 (1575)	66.5 (1690)	39
35.2 (895)	39.7 (1010)	40
9.3 (235)	9.3 (235)	41
2.0 (50)	2.0 (50)	42
2.0 (50)	2.0 (50)	43
13 x 5.5 (330 x 140)	13 x 5.5 (330 x 140)	44
7 x 2.87 (178 x 73)	7 x 2.87 (178 x 73)	45
5 x 4 (127 x 100)	5 x 4 (127 x 100)	46
Regen	Regen	47
Electric Disc	Electric Disc	48
Electric	Electric	49
AC Induction	AC Induction	50
AC Inverter	AC Inverter	51
8.0 (6.0)	8.0 (6.0)	52
AC Induction	AC Induction	53
18.8 (14)	18.8 (14)	54
18-125-13	18-125-17	55
16.4 (415)	20.9 (530)	56
38.7 x 32 (980 x 810)	38.7 x 32 (980 x 810)	57
600 / 930	880 / 1240	58
2060 (935) / 2305 (1045)	2600 (1180) / 3015 (1370)	59
6.2 (158)	6.2 (158)	60
24 (610)	24 (610)	61
SB-350 Gray	SB-350 Gray	62

**SRX35N  
SRX45N**



**SRX30ND**

