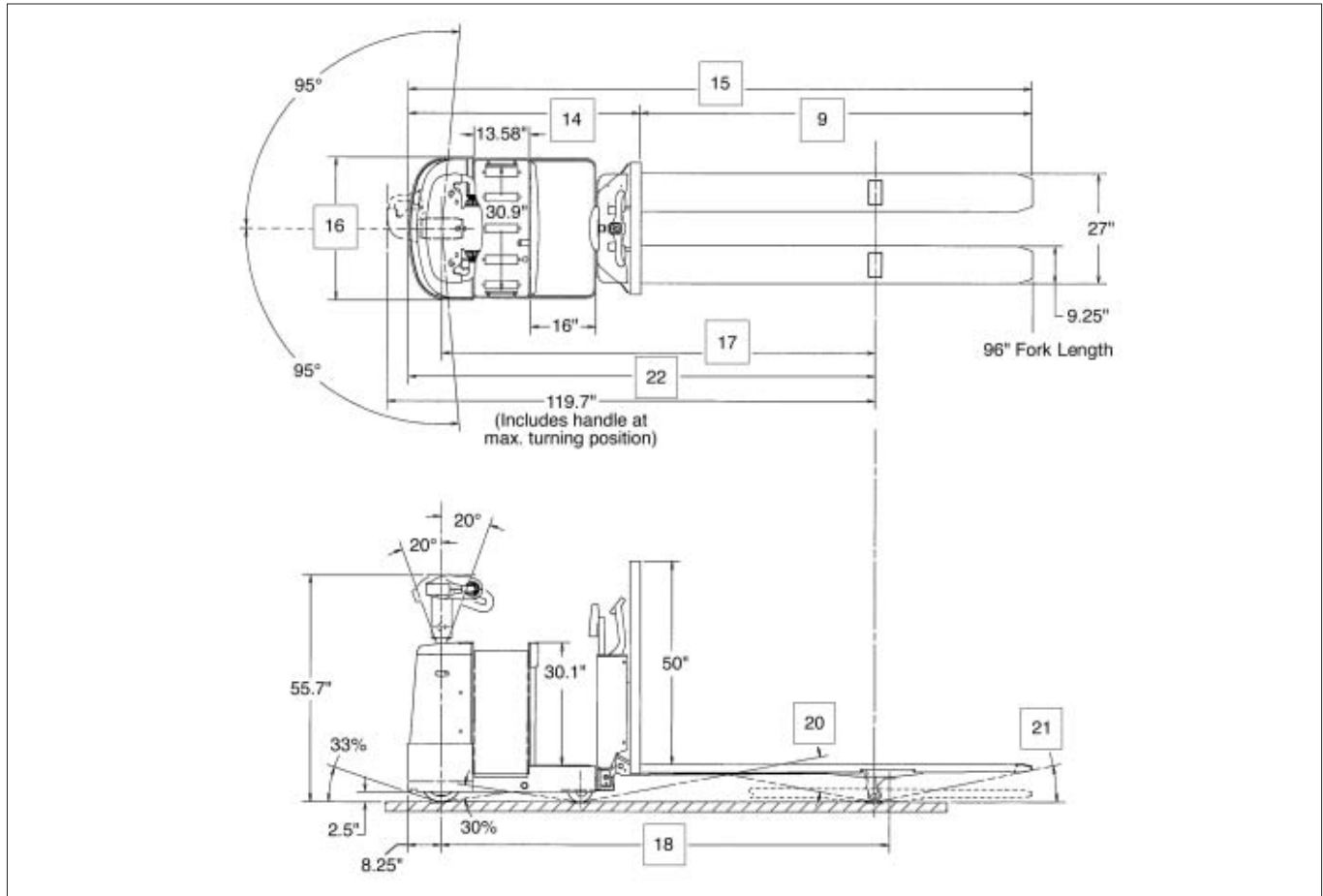


## Dimensions



			Single Pallet	Double Pallet		
9	Nominal Fork Length		48 (1219)	84 (2134)	96 (2438)	9
18	Wheelbase (Forks lowered)		97.2 (2468)	110 (2792)	110 (2792)	18
20	Grade Clearance	Between casters & load wheels	57	40	40	20
21		From load wheel to fork tip	70	30	20	21
22	Turning Radius		93.5 (2375)	114.5 (2910)	114.5 (2910)	22
23	Right Angle Stacking Aisle*	40", 42", 48" Load widths	108 (2750)	146 (3710)	158 (4015)	23
	90° Intersecting Aisle *	40" Load width	78 (1980)	89 (2260)	91 (2315)	
		42" Load width	79 (2010)	91 (2315)	92 (2340)	
		48" Load width	82 (2085)	94 (2390)	95 (2415)	

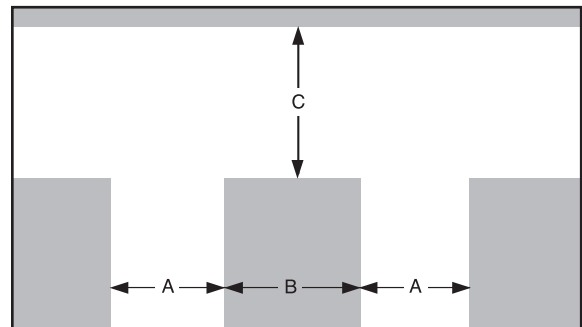
\*Add 6-8" for ease of operation. Includes 1" clearance on each side of load.

### Intersecting Aisle Requirements

A	B	C
Working Aisle in (mm)	Rack Width <sup>1</sup> in (mm)	Intersecting Aisle <sup>2</sup> in (mm)
96 (2440)	102 (2590)	118.6 (3013)
102 (2590)	102 (2590)	110.5 (2806)
108 (2745)	102 (2590)	104.3 (2650)

<sup>1</sup> Rack width calculated using 48" pallets and additional 6" needed for bracing.

<sup>2</sup> Minimum required aisle size to make a turn from one adjacent aisle to the next.



# 6,000 & 8,000 lb. capacities

## Main Truck Specifications

CHARACTERISTICS				Barrett	Barrett	
1	Manufacturer			Barrett	Barrett	1
2	Model	Model designation		SPB60	SPB80	2
		Long model code		SPTT1W3G60BV	SPTT1W3G80BV	
3	Load Capacity		lb (kg)	6000 (3000)	8000 (4000)	3
4	Power Type	Electric		24 Volt	24 Volt	4
5	Operator Type	Stand-up		Walkie/Rider	Walkie/Rider	5
6	Tire Type			Solid Rubber	Solid Rubber	6
7	Wheels	Number - front/rear		3 / 2	3 / 2	7
FORKS						
8	Size	Outside spread	in (mm)	27 (686)	27 (686)	8
9		Nominal length	in (mm)	96 (2438)	96 (2438)	9
10	Height	Raised position	in (mm)	9.25 (235)	9.25 (235)	10
11		Lowered position	in (mm)	3.25 (82.5)	3.25 (82.5)	11
12	Individual Fork Width		in (mm)	9.25 (235)	9.25 (235)	12
13	Total Lift	During travel	in (mm)	6 (152)	6 (152)	13
DIMENSIONS						
14	Overall Dimensions	Head length	in (mm)	56.9 (1444)	56.9 (1444)	14
15		Length with forks	in (mm)	152.9 (3883)	152.9 (3883)	15
16		Width - chassis	in (mm)	35.1 (890)	35.1 (890)	16
17	Wheelbase	Forks raised	in (mm)	106.2 (2700)	106.2 (2700)	17
18		Forks lowered	in (mm)	109.9 (2792)	109.9 (2792)	18
19	Grade Clearance	Under chassis	%	30	30	19
22	Turning Radius	Minimum outside	in (mm)	114.5 (2910)	114.5 (2910)	22
23	Right Angle Stacking <sup>1</sup>	40" x 48" pallet	in (mm)	158 (2290)	158 (2290)	23
24	Truck Weight	With standard forks	lb (kg)	1930 (877)	1930 (877)	24
25	Tires / Wheels	Drive tire	in (mm)	4 x 10 (102 x 254)	4 x 10 (102 x 254)	25
26		Load Wheels	in (mm)	3.25 x 6 (82 x 152)	3.25 x 6 (82 x 152)	26
SPEEDS						
27	Speed - Travel	Gear ratio 14.1:1				27
		No load	mph (kph)	8 (13)	8 (13)	
		Full load	mph (kph)	5.8 (9.4)	5.5 (8.9)	
BATTERY						
28	Battery Compartment <sup>2</sup>	L x W x H	in (mm)	32 x 13.5 x 31 (813 x 343 x 803)		28
29	Amp Hr Capacity	Min / Max (6-hr)	Ah	450 / 750	450 / 750	29
30	Weight	Min / Max	lb (kg)	854 / 1550 (387 / 703)		30
31	Lead Length	Position "B"	in (mm)	20 (508)	20 (508)	31
32	Connector		type	SB 175 Red	SB 175 Red	32

<sup>1</sup>Add 6-8" for ease of operation. Includes 1" clearance on each side of load.

<sup>2</sup>Compartment dimensions shown without battery gate. (31" x 13.5" x 31" with gates.)

## Fork Length Selection Guide

### Single Pallet Handling:

Size the forks to the exact pallet length. The load wheels will drop in the second opening of the pallet.

### Double Pallet Handling:

Size the forks to the exact pallet combination length. The load wheels should be specified to drop in the first opening of the second pallet to reduce the turning radius of the truck.

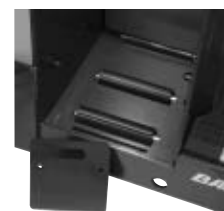
Contact your Barrett sales representative for details about load wheel location or fork length requirements for your application.



Steerhead includes two butterfly controls, allowing thumb or fingertip actuation of travel and direction.



Optional convenience tray keeps operator items organized.



Optional battery rollers make change out quick and easy.