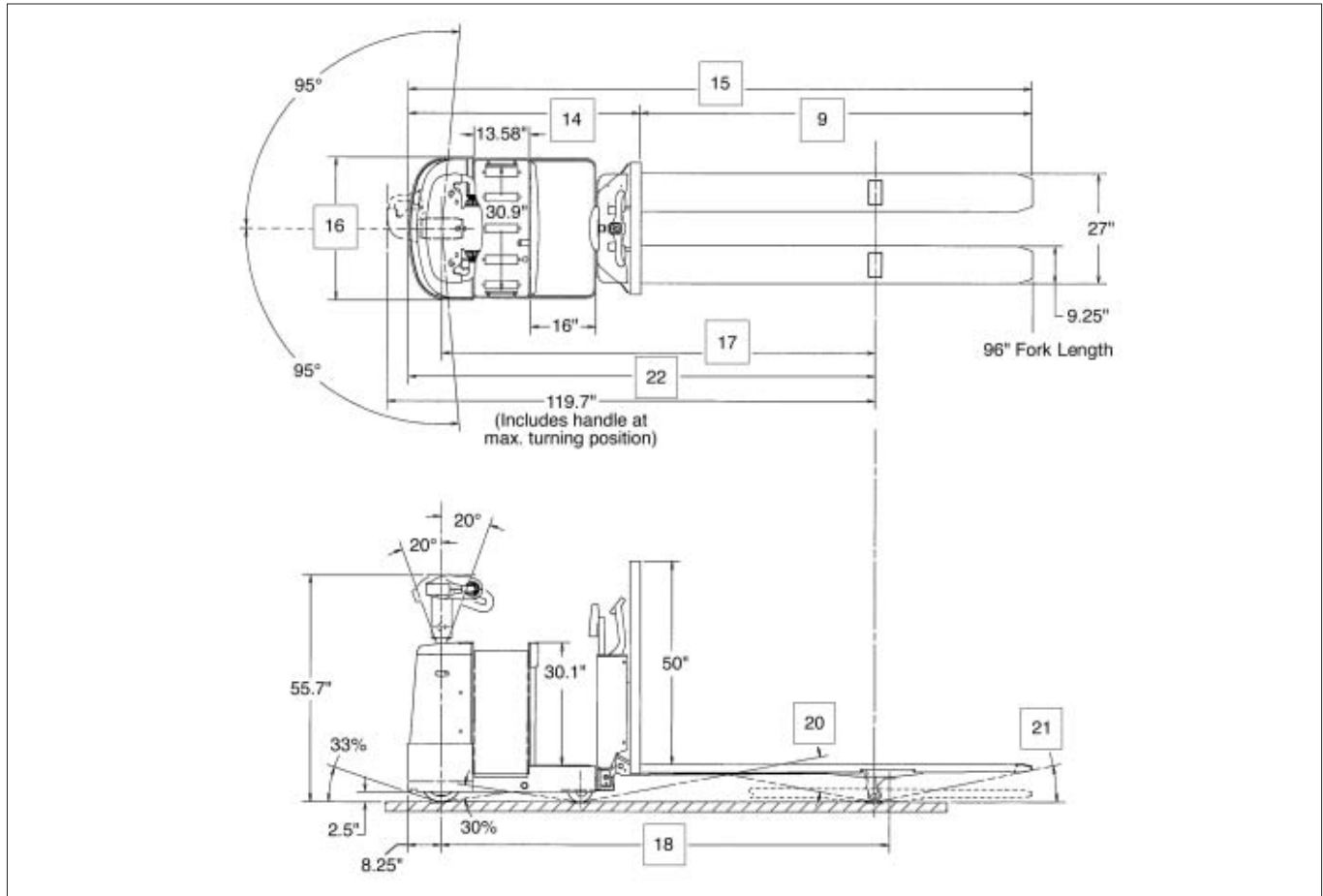


Dimensions



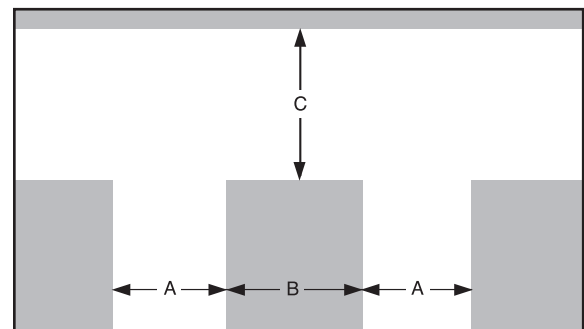
			Single Pallet	Double Pallet		
9	Nominal Fork Length		48 (1219)	84 (2134)	96 (2438)	9
18	Wheelbase (Forks lowered)		97.2 (2468)	110 (2792)	110 (2792)	18
20	Grade Clearance	Between casters & load wheels	57	40	40	20
21		From load wheel to fork tip	70	30	20	21
22	Turning Radius		93.5 (2375)	114.5 (2910)	114.5 (2910)	22
23	Right Angle Stacking Aisle*	40", 42", 48" Load widths	108 (2750)	146 (3710)	158 (4015)	23
	90° Intersecting Aisle *	40" Load width	78 (1980)	89 (2260)	91 (2315)	
		42" Load width	79 (2010)	91 (2315)	92 (2340)	
		48" Load width	82 (2085)	94 (2390)	95 (2415)	

*Add 6-8" for ease of operation. Includes 1" clearance on each side of load.

Intersecting Aisle Requirements

A	B	C
Working Aisle in (mm)	Rack Width ¹ in (mm)	Intersecting Aisle ² in (mm)
96 (2440)	102 (2590)	118.6 (3013)
102 (2590)	102 (2590)	110.5 (2806)
108 (2745)	102 (2590)	104.3 (2650)

¹ Rack width calculated using 48" pallets and additional 6" needed for bracing.
² Minimum required aisle size to make a turn from one adjacent aisle to the next.



6,000 & 8,000 lb. capacities

Main Truck Specifications

CHARACTERISTICS	1	Manufacturer		Nissan	Nissan	1
	2	Model	Model designation	SPN60	SPN80	2
			Long model code	SPTT1W3G60NV	SPTT1W3G80NV	
	3	Load Capacity	lb (kg)	6000 (3000)	8000 (4000)	3
	4	Power Type	Electric	24 Volt	24 Volt	4
	5	Operator Type	Stand-up	Walkie/Rider	Walkie/Rider	5
	6	Tire Type		Solid Rubber	Solid Rubber	6
FORKS	7	Wheels	Number - front/rear	3 / 2	3 / 2	7
	8	Size	Outside spread	in (mm)	27 (686)	8
	9		Nominal length	in (mm)	96 (2438)	9
	10	Height	Raised position	in (mm)	9.25 (235)	10
	11		Lowered position	in (mm)	3.25 (82.5)	11
	12	Individual Fork Width	in (mm)	9.25 (235)	9.25 (235)	12
DIMENSIONS	13	Total Lift	During travel	in (mm)	6 (152)	13
	14	Overall Dimensions	Head length	in (mm)	56.9 (1444)	14
	15		Length with forks	in (mm)	152.9 (3883)	15
	16		Width - chassis	in (mm)	35.1 (890)	16
	17	Wheelbase	Forks raised	in (mm)	106.2 (2700)	17
	18		Forks lowered	in (mm)	109.9 (2792)	18
	19	Grade Clearance	Under chassis	%	30	19
	22	Turning Radius	Minimum outside	in (mm)	114.5 (2910)	22
	23	Right Angle Stacking ¹	40" x 48" pallet	in (mm)	158 (2290)	23
	24	Truck Weight	With standard forks	lb (kg)	1930 (877)	24
SPEEDS	25	Tires / Wheels	Drive tire	in (mm)	4 x 10 (102 x 254)	25
	26		Load Wheels	in (mm)	3.25 x 6 (82 x 152)	26
	27	Speed - Travel	Gear ratio 14.1:1			27
			No load	mph (kph)	8 (13)	
	Full load		mph (kph)	5.8 (9.4)	5.5 (8.9)	
BATTERY	28	Battery Compartment ²	L x W x H	in (mm)	32 x 13.5 x 31 (813 x 343 x 803)	28
	29	Amp Hr Capacity	Min / Max (6-hr)	Ah	450 / 750	29
	30	Weight	Min / Max	lb (kg)	854 / 1550 (387 / 703)	30
	31	Lead Length	Position "B"	in (mm)	20 (508)	31
	32	Connector		type	SB 175 Red	32

¹Add 6-8" for ease of operation. Includes 1" clearance on each side of load.

²Compartment dimensions shown without battery gate. (31" x 13.5" x 31" with gates.)

Fork Length Selection Guide

Single Pallet Handling:

Size the forks to the exact pallet length. The load wheels will drop in the second opening of the pallet.

Double Pallet Handling:

Size the forks to the exact pallet combination length. The load wheels should be specified to drop in the first opening of the second pallet to reduce the turning radius of the truck.

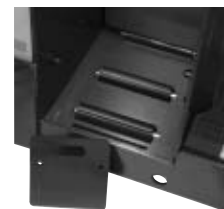
Contact your Nissan Forklift sales representative for details about load wheel location or fork length requirements for your application.



Steerhead includes two butterfly controls, allowing thumb or fingertip actuation of travel and direction.



Optional convenience tray keeps operator items organized.



Optional battery rollers make change out quick and easy.