

Specifications

MODEL **TZ™-34/20**

MEASUREMENTS	US	Metric
Working height*	40 ft	12.36 m
Platform height	34 ft	10.36 m
Entry height - extended	6.4 in	.16 m
Horizontal reach	18 ft 4 in	5.59 m
Clear out reach	13 ft 5 in	4.09 m
Up and over clearance	16 ft 1 in	4.90 m
A Platform length	2 ft 2.8 in	.68 m
B Platform width	3 ft 8 in	1.12 m
C Height - stowed	6 ft 4.5 in	1.94 m
D Length - stowed	18 ft .5 in	5.50 m
E Width - stowed	4 ft 9.1 in	1.45 m
F Ground clearance	9.5 in	.24 m
G Length - outrigger footprint	10 ft 8.4 in	3.26 m
H Width - outrigger footprint	11 ft 9.4 in	3.59 m

PRODUCTIVITY

Lift capacity (ANSI, CSA) - standard	500 lbs	227 kg
Lift capacity (ANSI, CSA) - rotating platform	460 lbs	209 kg
Lift capacity (CE) - standard	440 lbs	200 kg
Lift capacity (CE) - rotating platform	400 lbs	181 kg
Self leveling platform	standard	
Platform rotation option	90° mechanical	
AC power to platform	standard	
Turntable rotation	359° non-continuous	
Outrigger leveling capability	11°	
Towing speed rate	60 mph	97 km/h
Tongue weight - ANSI, CSA	315 lbs	143 kg
Surge and parking brakes	standard	
Controls	variable speed system	
Tire size	ST 205/75 R15	
Coupler	2 in (5.08 cm) hitch coupler standard	

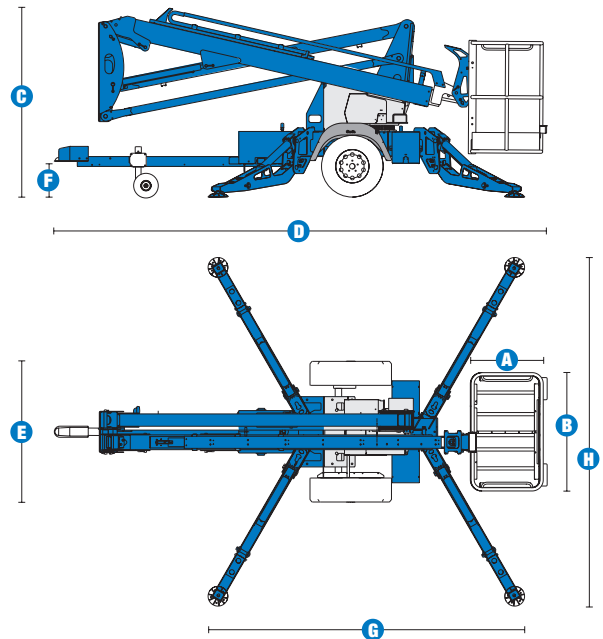
POWER

Power source	24 V DC (four 6 V 225 Ah batteries)	
Hydraulic tank capacity	2.1 gal	8 L
Hydraulic system capacity	4.5 gal	17 L

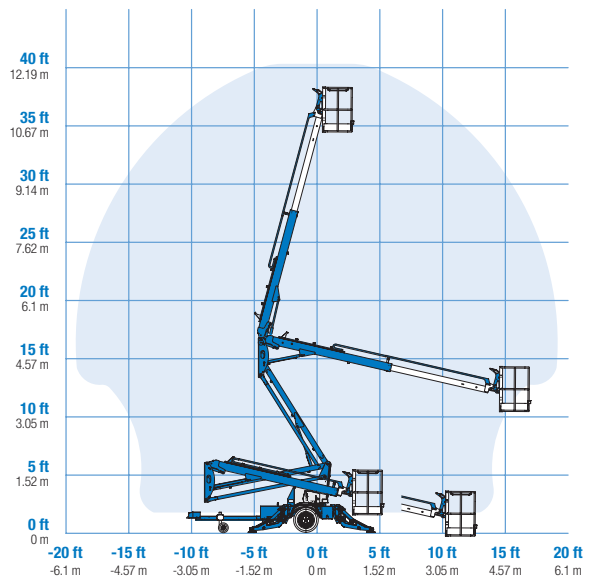
WEIGHT**

ANSI, CSA	3,150 lbs	1,432 kg
CE	3,170 lbs	1,438 kg

STANDARDS COMPLIANCE ANSI A92.2, CSA C225, CE Compliance, AS 1418.10



RANGE OF MOTION TZ™-34/20



* The metric equivalent of working height adds 2 m to platform height. U.S. adds 6 ft to platform height.
 ** Weight will vary depending on options and/or country standards.